



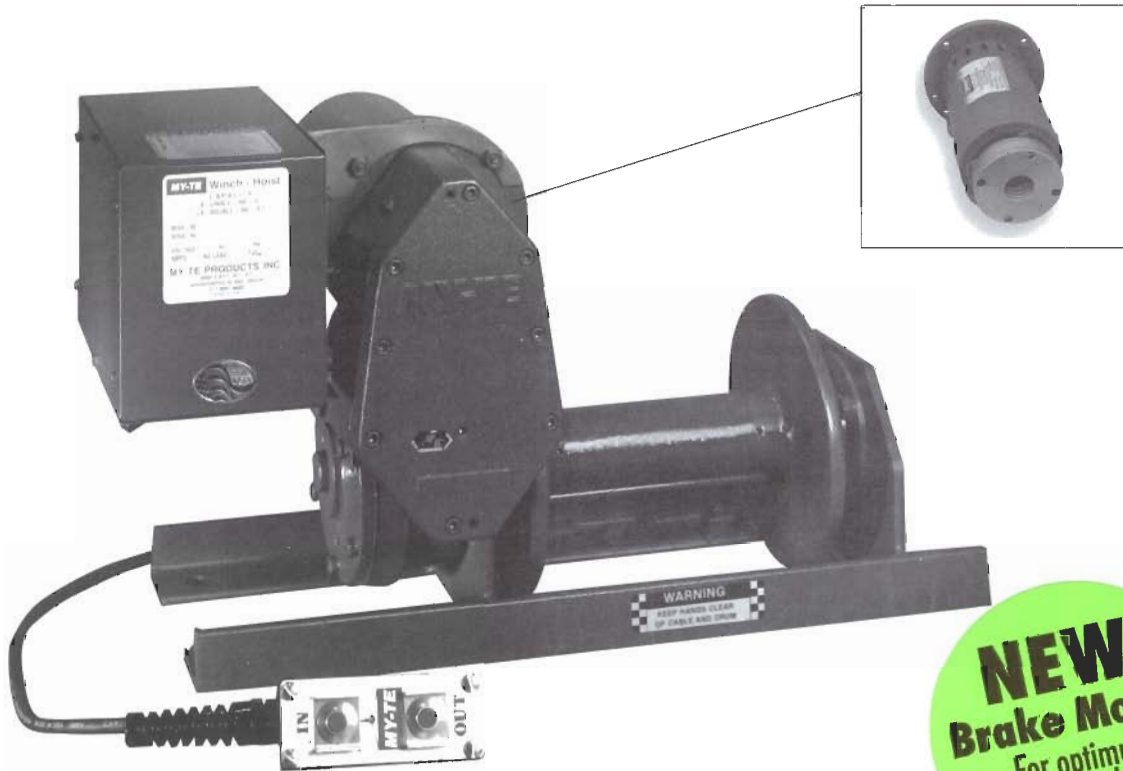
MODEL

100AB

STANDARD SERIES

The Standard Electric Winch-Hoist

1,000-lb Single-Line or 2,000-lb Double-Line Lift



NEW!
Brake Motor!
For optimum
lift control and
safety!

APPLICATIONS

For Pulling Jobs With Loads Up to 8,000 Lbs

Multiple-Story Construction Site Work

Long-Lift Applications

Tower Erection and Maintenance

Easily Portable From Job to Job

FEATURES

- 115 Volt brake motor
- Worm gear reduction for positive load holding
- Dynamic braking for instant stopping
- Rugged construction
- Low voltage 10' pendant control
- High-capacity cable drum
- Frictionless bearings



STANDARD SERIES

SPECIFICATIONS

Construction Features

- Heavy-duty angle base drilled for six (6) 1/2" bolts (9/16" mounting holes) with no welding required
- Fully sealed aluminum housings, with precision-cut gears, run in an oil bath
- Stressproof drum shaft
- Frictionless bearings

Gear System

- 286:1 total reduction
- Hardened steel worm and forged bronze worm gear holds load in position when stopped.

Power

- Universal 18,500 RPM reversible 1.25 HP brake motor (no-load speed)
- 15' power cord plugs into any 115 Volt AC grounded outlet
- 6 amp – No load
- 14 amp – Full load

Speeds

- 59 RPM: No-load drum speed
- 30 FPM: No-load drum speed
- 25 FPM: 500 lbs – single-line lift
- 20 FPM: 1,000 lbs – single-line lift
- 10 FPM: 2,000 lbs – double-line lift

Note: All speeds are based on one layer of cable on drum.

Duty Cycle

- 25% – 15 min/hr when operating at full load.

Drum Storage

- | | |
|-----------------|----------------|
| Model No. 100A | Model No. 150A |
| ▪ 1/8" – 1,000' | ▪ 1/8" – 285' |
| ▪ 3/16" – 450' | ▪ 3/16" – 125' |
| ▪ 1/4" – 250' | ▪ 1/4" – 70' |
| ▪ 5/16" – 150' | ▪ 5/16" – 45' |

For best results, use the minimum amount of cable required for application. Maintain four wraps of cable on the drum at all times. Cable sold separately. Length and size must be specified at time of order.

Lifting Capacity

- 1,000 lbs – 1-2 layers of cable (39' of 1/4" cable)
- 850 lbs – 3 layers of cable (65' of 1/4" cable)
- 600 lbs – full drum of cable (250' of 1/4" cable)

Pulling Capacity

- 10% (6°): 8,000 lbs
- 20% (11°): 4,000 lbs
- 40% (22°): 2,100 lbs
- 60% (31°): 1,500 lbs
- 80% (39°): 1,300 lbs
- 100% (45°): 1,100 lbs

My-te winch-hoists are rated for what they will vertically lift. Above data is based on the total load that may be pulled, single line, up a given incline. All capacities are reduced 20% to allow for minimum friction in pull.

Cable Strength

- Safe working load is 20% of breaking strength
- Top-quality galvanized cable available in the following breaking strengths:

1/8" – 2,000 lbs	1/4" – 7,000 lbs
3/16" – 4,200 lbs	5/16" – 9,800 lbs

Shipping Weight

76 lbs

Factory-Installed Options

- 230 Volt
- Clutch
- Limit Switch
- Hand Crank
- Alternate Drums
- Upside-Down Mounting
- Variable Speed
- High Speed Gears

For additional information:

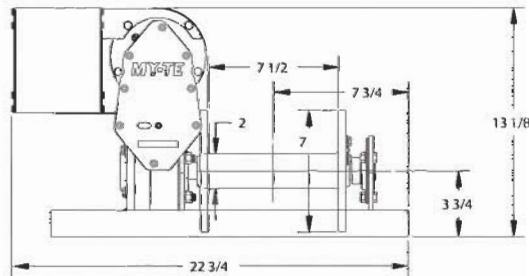
Call (800) 840-9880

Visit www.myte.com

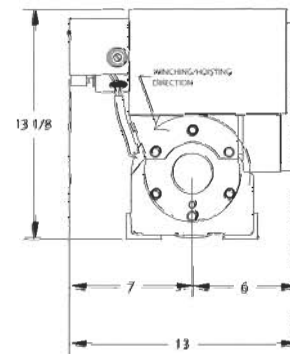
Email: sales@myte.com

Or contact your nearest My-te distributor

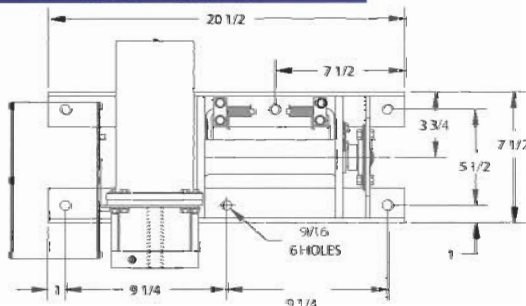
FRONT VIEW



SIDE VIEW



TOP VIEW



My-te can even custom design winch-hoists for your special needs. For applications assistance, including the specification of a My-te winch-hoist to meet your requirements, see your My-te distributor or call My-te Products, Inc.

All My-te winches and hoists are designed for material handling usage only.